

# COMMERCIAL AND INDUSTRIAL PHOTO-EYES

Safest Installations. Smartest Innovations

COMMERCIAL  
PROTECTOR SYSTEM®

# CPS®

COMMERCIAL DOOR OPERATOR



## CPS-UN4 Industrial Photo-Sensors

- UL325-2010 Compliant when used with LiftMaster® commercial door operators
- Industrial code technology
- Rugged watertight design – NEMA 4
- Heavy-gauge steel brackets – floor or track mounting fitting
- Quick installation and pre-molded for 1/2" trade-size conduit
- Bright yellow safety color
- Range up to 45 Ft. – indoor/outdoor use
- Additional CPS sensors may be added for increased safety

## CPS-U Commercial Photo-Sensors

- UL325-2010 Compliant when used with LiftMaster® commercial door operators
- Industrial code technology
- Durable steel brackets – floor or track mounting
- Bright yellow safety color
- Range up to 30 ft. – indoor use only
- Available in rugged, watertight design (NEMA 4)
- Additional CPS sensors may be added for increased safety



**Regulatory Compliant with LiftMaster® Industrial Code Technology.** All commercial door operators bearing the UL label must have the capability to monitor safety devices such as photo-sensors and sensing edges in order to provide any feature or wiring type other than basic C2 constant-pressure-to-close wiring. LiftMaster® thru-beam photo-sensors provide primary monitored entrapment protection when connected directly to all Logic 4.0 and Medium-Duty Logic commercial door operators. CPS photo-sensors are designed to work solely with LiftMaster® commercial door operators to provide enhanced commercial door safety.

UL325-2010 COMPLIANT

**LiftMaster®**  
ELITE SERIES™  
LOGIC 4.0

# CPS

COMMERCIAL DOOR OPERATOR

## Systems For All Applications

### Primary Monitored Entrapment Protection

The presence of primary entrapment protection is required for all modes and features beyond basic C2 constant-pressure-to-close performance. LiftMaster® Monitored Entrapment Protection devices, CPS-U, CPS-UN4 and CPS-EI, are designed to work in conjunction with LiftMaster® commercial door operators to provide enhanced door safety and a broad range of modes and features to end users. Monitored photo-sensors or monitored 4-wire sensing edge protection may be selected and must be recognized by the LiftMaster® Logic 4.0 or Medium-Duty Logic circuit board in order to unlock full operator functionality.

### Direct Connect to Logic 4.0 and Medium-Duty Logic Operators

Commercial and Industrial Photo-Eyes:

- Direct connect to all Logic 4.0 and Medium-Duty Logic commercial door operators.
- Continuous self-monitoring system satisfies regulatory requirements and permits the use of features and wiring types other than C2, constant-pressure-to-close.
- Additional CPS-U and CPS-UN4 may be added to Logic 4.0 operators, using the CPS3CARD, for increased safety
- Easy alignment! LEDs on each photo-sensor glow steadily when properly connected and aligned; the LEDs will flicker rapidly to indicate an obstruction or misalignment



### CPS-EI Interface for Monitored 4-Wire Edge

Interface for Monitored 4-Wire Sensing Edge (edge supplied by others):

- Permits direct connection of a compatible 4-Wire monitored sensing edge
- Direct Connect to all Logic 4.0 and z Logic commercial door operators.
- Continuous self-monitoring system satisfies regulatory requirements and permits the use of features and wiring types other than C2, constant-pressure-to-close.



Commercial CPS-EI

### Ancillary Entrapment Protection

Ancillary entrapment protection is optional and may be used to supplement primary entrapment protection devices. LiftMaster® Retro-Reflective Commercial Protector System photo-sensors are considered ancillary entrapment protection and may be used to supplement CPS-EI primary entrapment protection.

### Retro-Reflective System

#### Retro-Reflective Commercial Protector System®

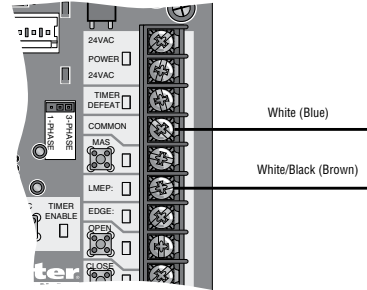
- Utilizes a sending/receiving retro-reflective photo-eye and a specially designed polarized reflector that increases obstruction detection reliability
- Polarized photo-eye design for a safer retro-reflective photo-eye system
- Designed as a normal open circuit, but not a self-monitoring system (does not incorporate industrial code technology)
- Range up to 30 ft. – Indoor use



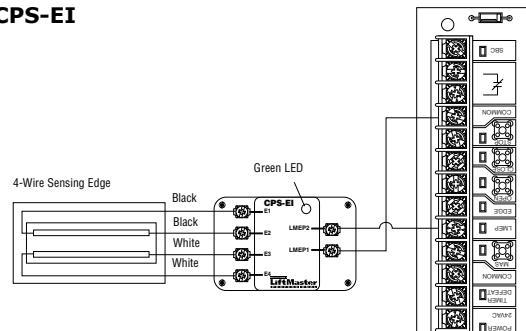
### CPS-U, CPS-UN4 and CPS-EI Wiring Connections

(Logic 4 board shown)

#### CPS-U/CPS-UN4



#### CPS-EI



For more information on any of our products contact customer service: 1-800-323-2276 [www.liftmaster.com](http://www.liftmaster.com)

# LiftMaster®

Commercial Door Operators

THE CHAMBERLAIN GROUP, INC.

845 Larch Avenue • Elmhurst, IL 60126

[www.liftmaster.com](http://www.liftmaster.com) • <http://specs.liftmaster.com/architectscorner>



Chamberlain reserves the right to make design or specification changes without notice. ©2010 The Chamberlain Group, Inc. Printed in U.S.A. 8/10 LMCDCAOCPS